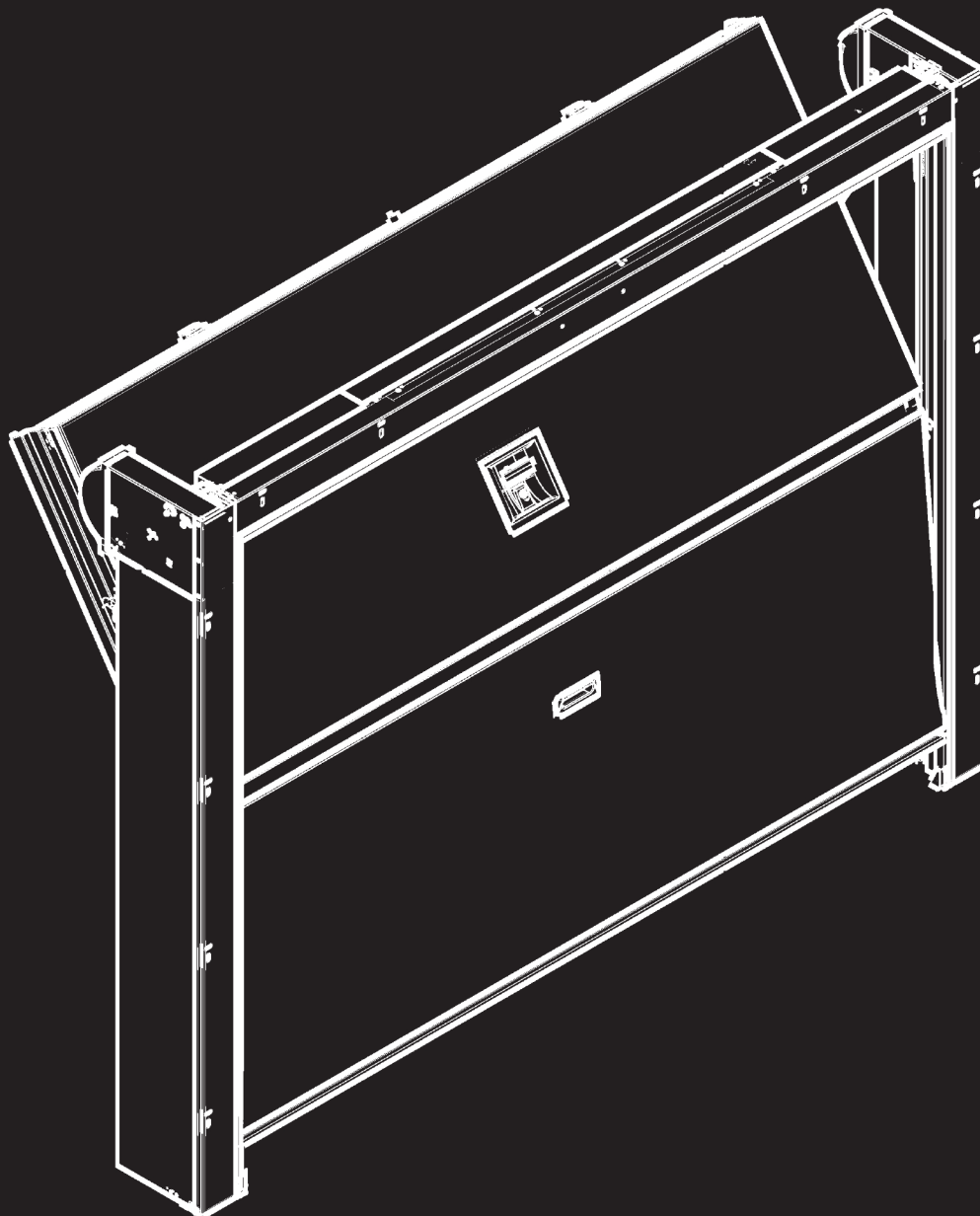


SILVELOX GARAGE DOOR



OVERLAP

TRACKLESS SECTIONAL DOOR

SILVELOX
devoted to design

SILVELOX GARAGE DOOR OVERLAP TRACKLESS SECTIONAL DOOR

TECH SPECS

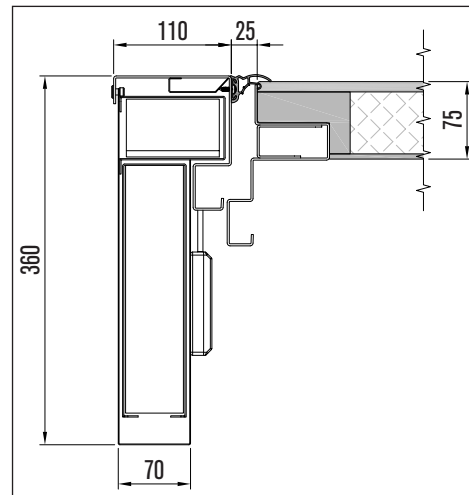
- Sectional door made by two overlapping sections.
- Sections made by structural sandwich panels in Multi-ecowood 75 mm thick.
- Frame made by 2 mm thick metal sheet, RAL 9016 white traffic varnished.
- Silvelox door operator integrated in the head-bar (for garages with no other accesses, a double handle has to be added, available as accessory). Additional receivers and remote controllers available upon request.
- Balancing through double counterweight system.
- Bottom and perimeter sealing in EPDM rubber anti-entrapment, water and wind proof.
- Outer side varnished with eco-friendly water based products or metal coated.
- Inner side RAL 9016 white traffic lacquered.
- Thermal transmittance $U= 1,00 \text{ W/m}^2\text{K}$ (value obtained for a door without windows and grills with behind wall installation)
- Excellent performance in terms of acoustic insulation and water/wind proofing.
- International Patent PCT. US Patent n° 13/355,785.

MANUAL VERSION

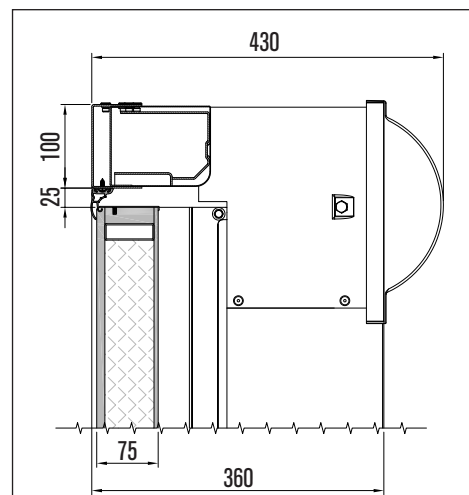
- Double external handle Platinbronze, completely embedded into the door leaf.
- Upper handle with lock with European drill resistant cylinder, 3 keys.

PERIMETER FRAME DIMENSIONS

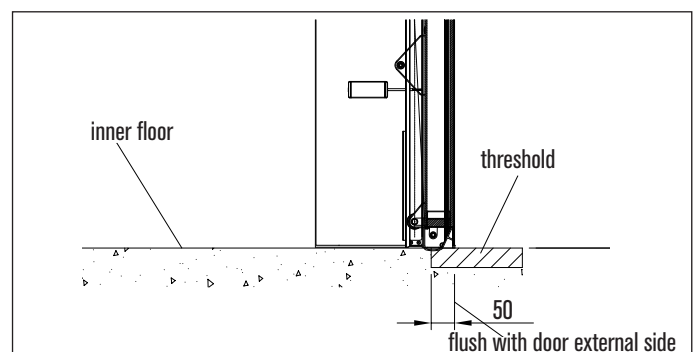
Horizontal section



Vertical section

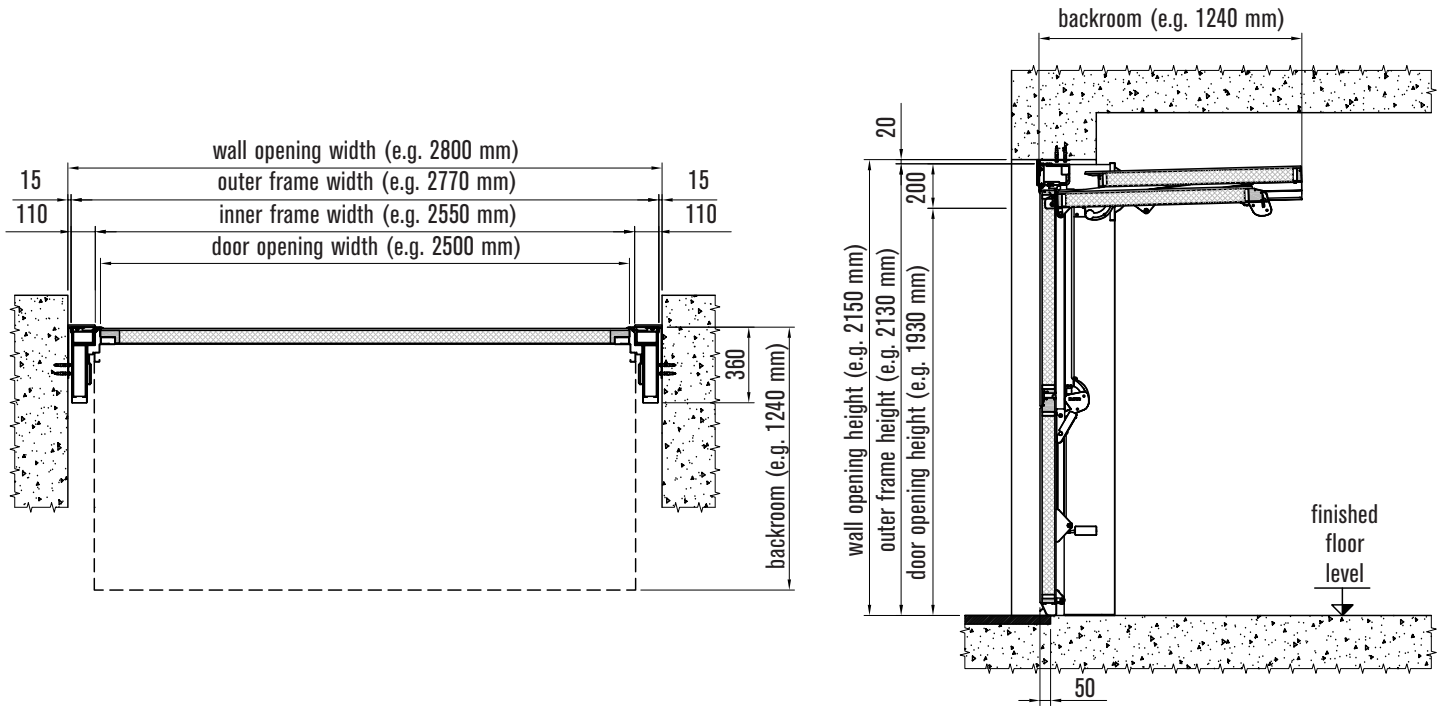


THRESHOLD DETAIL



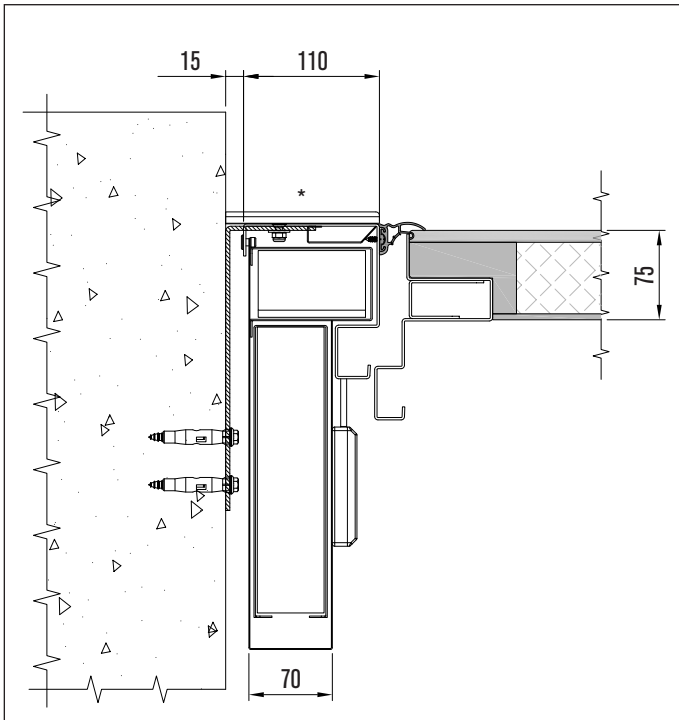
INSTALLATION TYPES

BETWEEN WALL installation

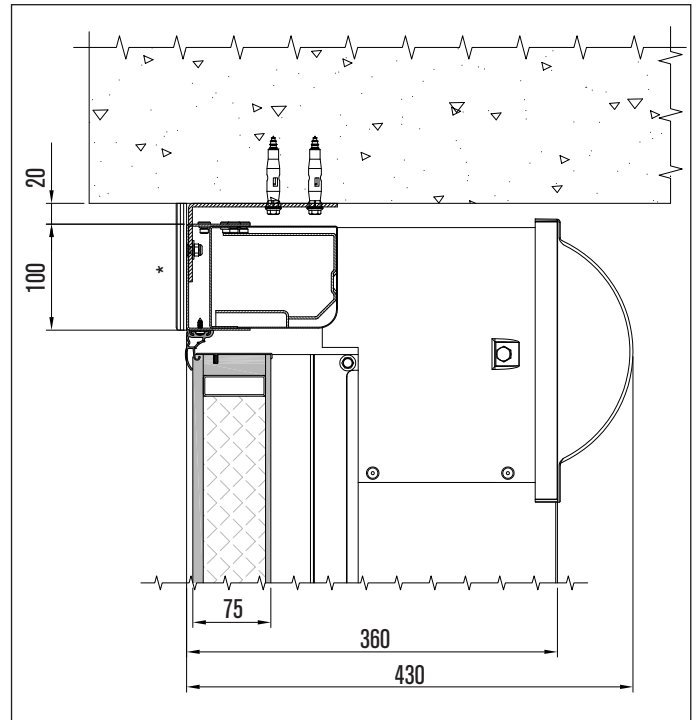


Fixing detail of BETWEEN WALL installation

Horizontal section



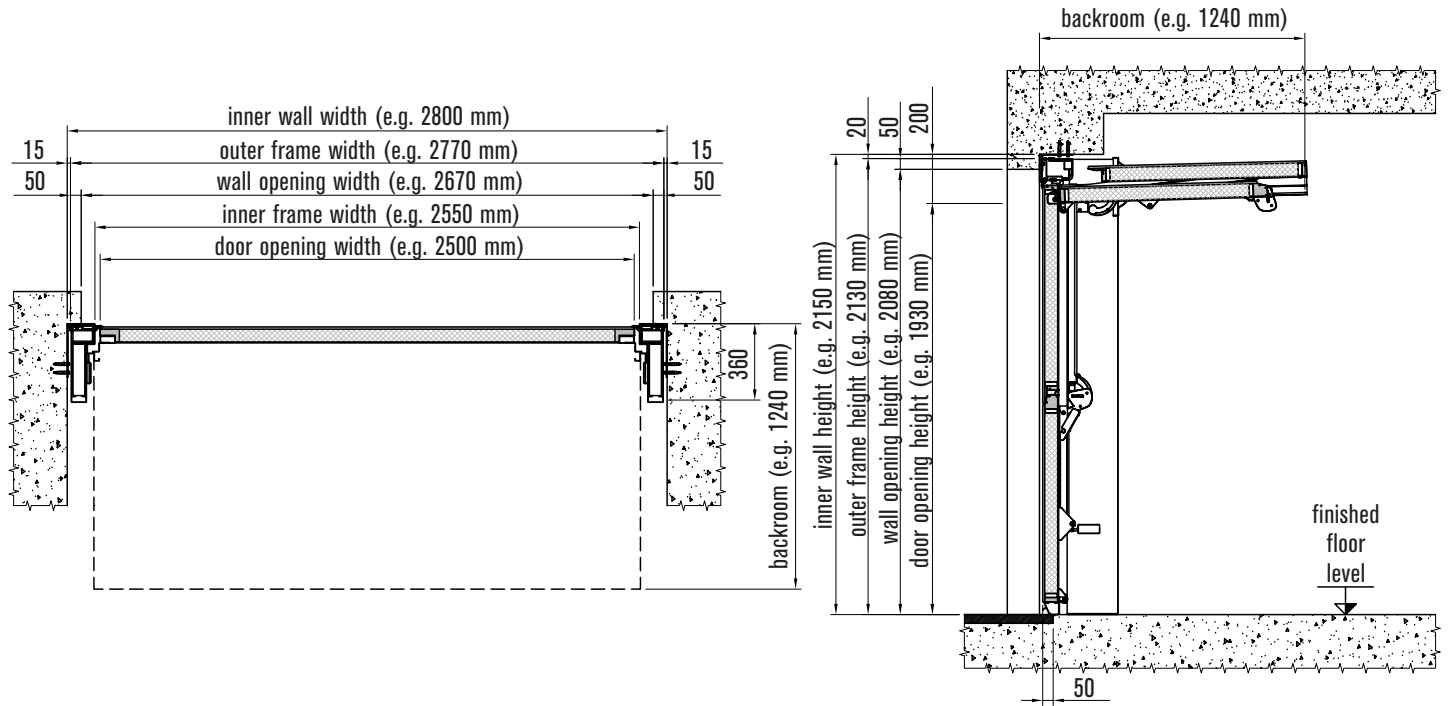
Vertical section



* External wooden fascia boards available as accessory on page 12 to be requested when ordering the door

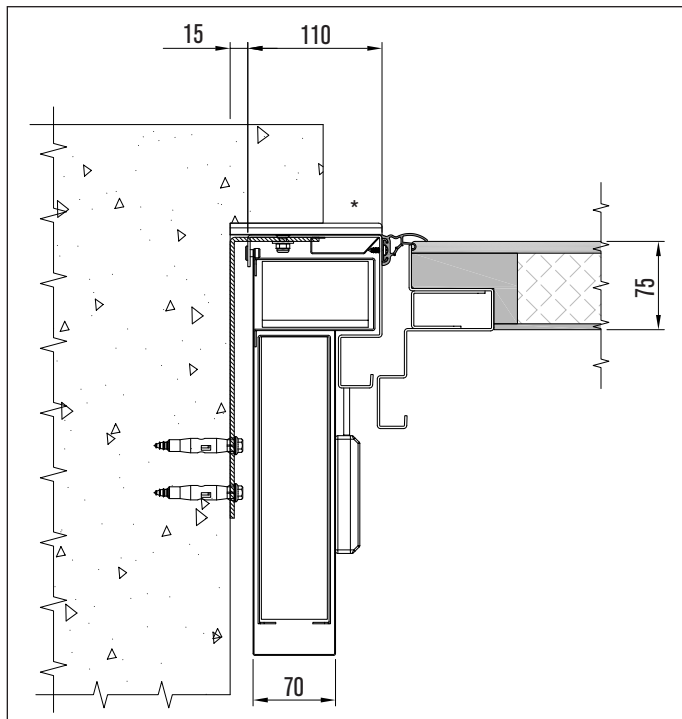
INSTALLATION TYPES

PARTIALLY BETWEEN WALL installation

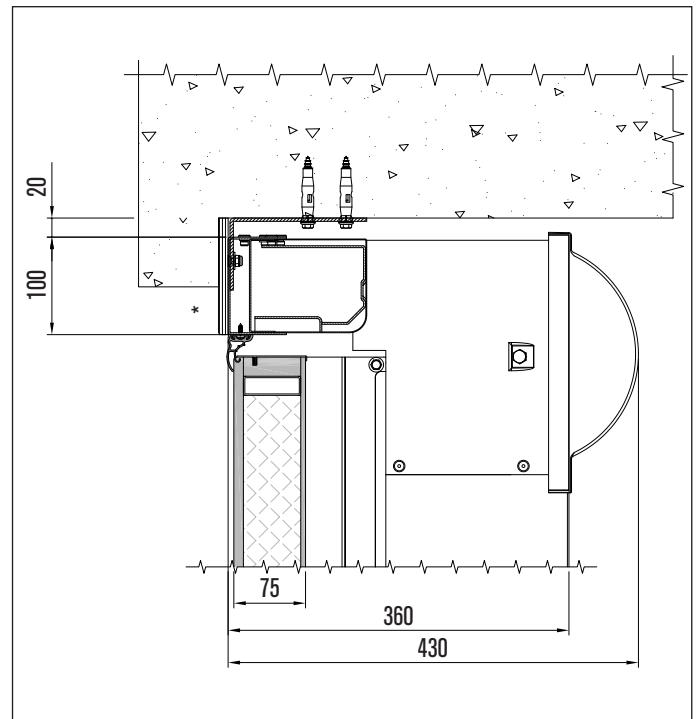


Fixing detail of PARTIALLY BETWEEN WALL installation

Horizontal section



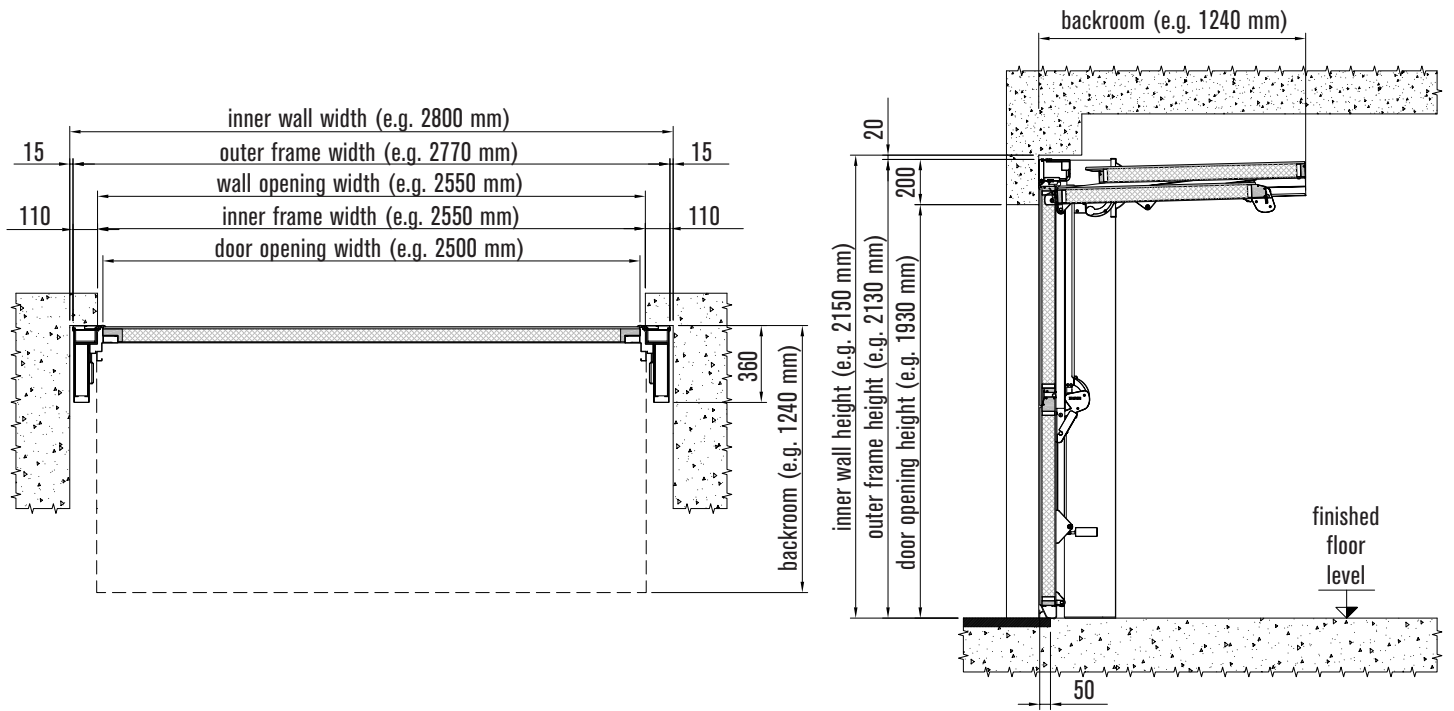
Vertical section



* External wooden fascia boards available as accessory on page 12 to be requested when ordering the door

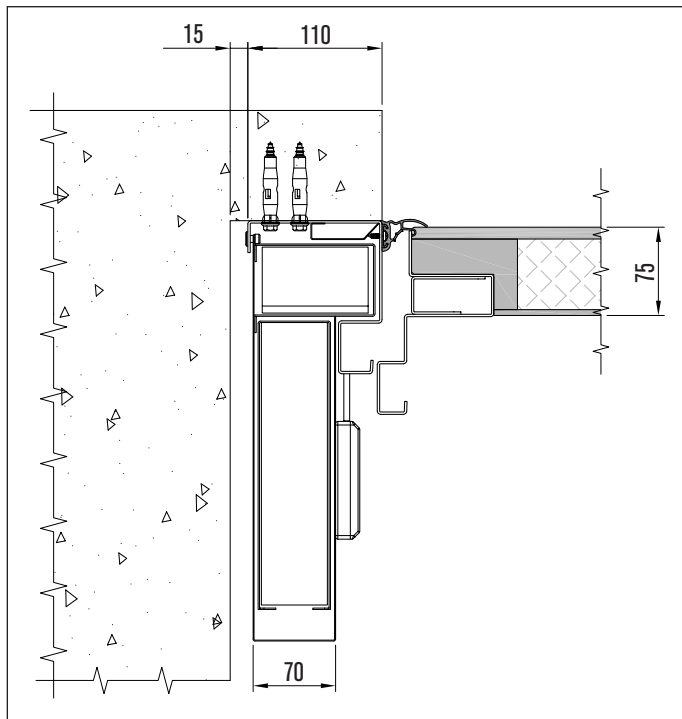
INSTALLATION TYPES

BEHIND WALL installation

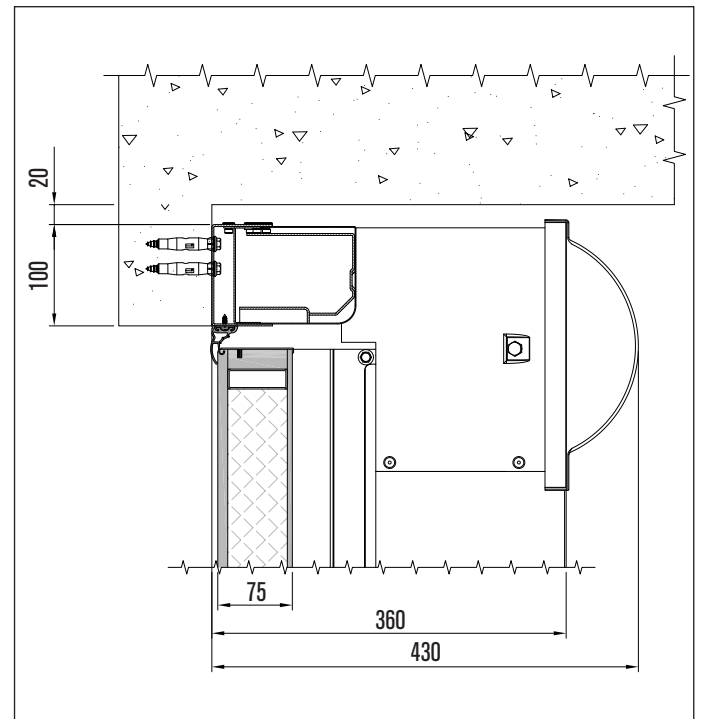


Fixing detail of BEHIND WALL installation

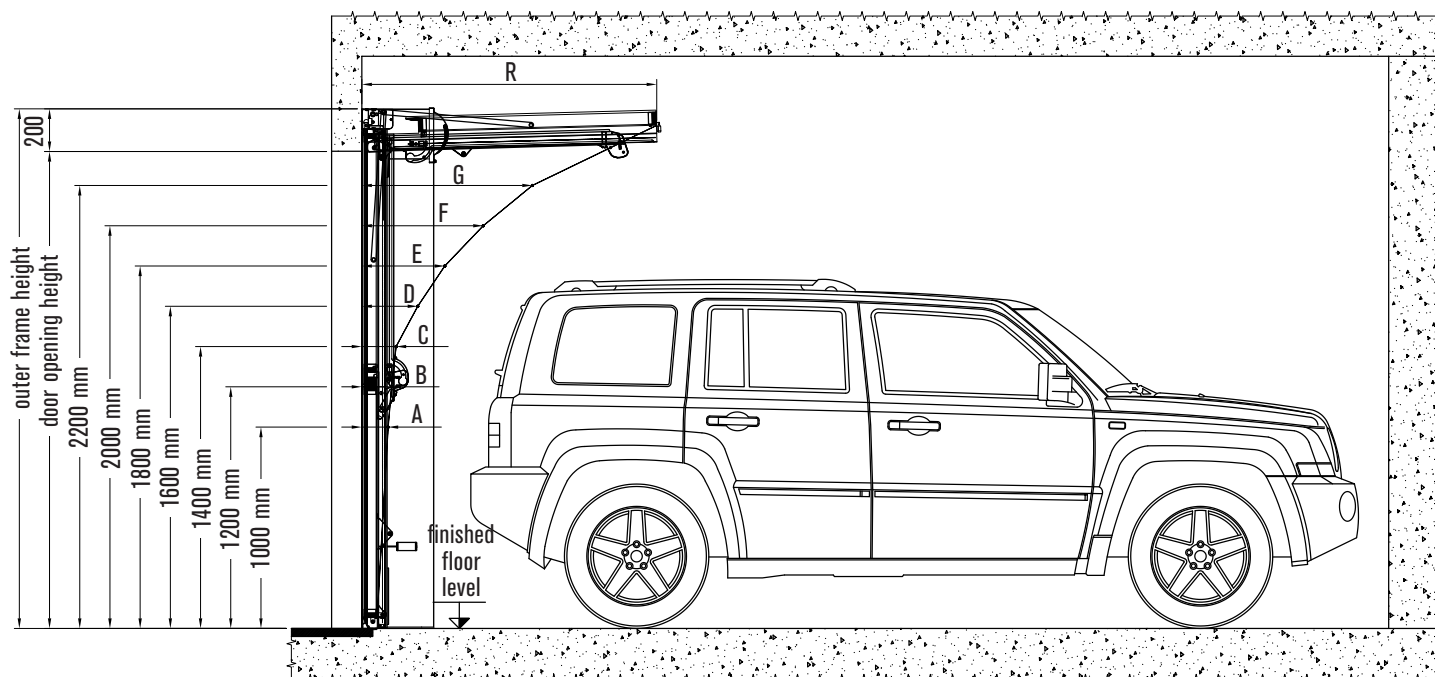
Horizontal section



Vertical section



DOOR CLEARANCE DIMENSIONS



outer frame H	door opening H	A H 1000	B H 1200	C H 1400	D H 1600	E H 1800	F H 2000	G H 2200	R
1980	1780	159	244	394	602	924	/	/	1165
2030	1830	156	227	369	564	858	/	/	1190
2080	1880	152	211	344	525	791	/	/	1215
2130	1930	149	194	319	487	725	/	/	1240
2180	1980	147	186	300	460	685	/	/	1265
2230	2030	145	177	281	432	646	/	/	1290
2280	2080	142	169	261	405	606	/	/	1315
2330	2130	140	160	242	377	566	776	/	1340
2380	2180	138	158	227	357	536	741	/	1365
2430	2230	137	155	213	338	505	706	/	1390
2480	2280	135	153	198	318	475	670	/	1415
2530	2330	133	150	183	298	444	635	896	1440
2580	2380	131	148	170	278	412	603	847	1464
2630	2430	130	147	168	272	405	590	820	1515
2680	2480	129	146	166	267	399	577	793	1565
2730	2530	128	144	165	262	394	564	766	1614
2780	2580	127	143	163	257	388	551	739	1664
2830	2630	127	142	162	253	383	539	726	1714
2880	2680	126	141	160	249	377	527	714	1764
2930	2730	126	140	159	245	372	514	701	1814
2980	2780	125	139	157	241	366	502	688	1864

Measures in mm

